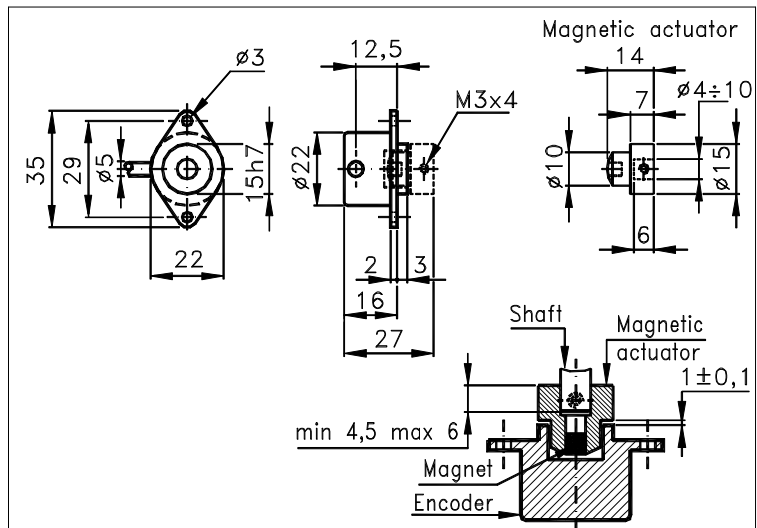


**MAGNETIC  
ABSOLUTE  
ENCODER  
M322NC**

Miniature absolute singleturn magnetic encoder without contact between the rotating shaft and the body of the transducer. Characterized by a high rotation speed (30000 rpm). Fit for industrial applications like marine, medical, printing, metal working, industrial automation and instrumentation.

Famiglia: **M**  
page: 03.M322NC 1/2  
data sheet IR 011 E00

Measures without tolerance according to UNI ISO 2768-mk



\* IP68 VERSION MUST BE OPERATED IMMERSSED IN FLUID.

**TECHNICAL FEATURES AND POSSIBLE CONFIGURATIONS**

- Output codes.....: Binary
- Max pulses/rev.....: 512 (9 bits)
- Power supply Vcc.....: 5±5%
- Max consumption.....: 20 mA (23 mA SSI)
- Max frequency.....: 500 kHz
- Operating temperature.: -25÷+85 °C
- Storage temperature...: -25 ÷ +125 °C
  
- Up/down commutation...: No
- Mechanical zero search: No
- Output stages.....: (-) Standard 3mA
  
- Pre output interface...: (S) Serial SSI  
(-) Parallel (standard)

- Connections Radial R : CV
- For the description of connections see 'ORDERING CODE' on page 2.
- Base.....: Aluminium
- Cover.....: Aluminium (\*)
- Weight.....: 60 g
- Shaft.....: Hollow (with magnet) (\*)
- Max.rad/axial load.....: -
- IP output side.....: see 'CONNECTIONS' on page 2
- IP shaft side.....: std.64 | sealed 68 | low torq.-
- Contin. max RPM...(\*\*): 30000 | 30000 | -
- Starting torque.. gcm.:
- Impact resistance.....: 100 G (6 ms)
- Vibration resistance...: 12 G (10 ÷ 2000 Hz)
- Ball bearings life.....: 1,5x10<sup>9</sup> revolutions  
(@ 1000 rev/m with load of 1/4 maximum allowed)
- (\*) Custom options
- (\*\*) Intermittent max RPM + 30% of continuous max RPM

**POSSIBLE OPTIONS**

CODE	DESCRIPTION	CODE	DESCRIPTION	CODE	DESCRIPTION
		X	Custom options		
				Z	IP68 version

