

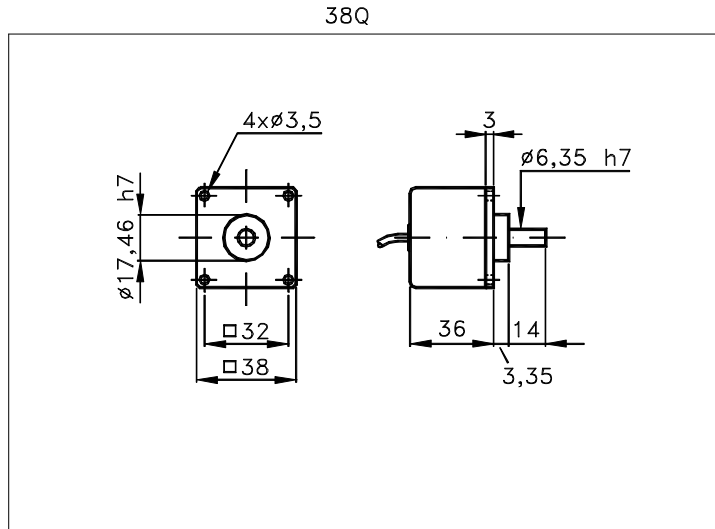
**INCREMENTAL
MAGNETIC
ENCODER**

M38Q

MINIATURE MAGNETIC ENCODER WITH SQUARE FLANGE AND HIGH PROTECTION DEGREE AND IMMUNITY TO OILS, LIQUIDS ETC.. FIT FOR APPLICATIONS AS MARINE, MEDICAL, PRINTING, METAL WORKING ETC..

Family: **M**
page: 02.M38Q 1/2
data sheet . IR 015 E00

Sized draw standard version: CV Measures without tolerance according to UNI ISO 2768-mk

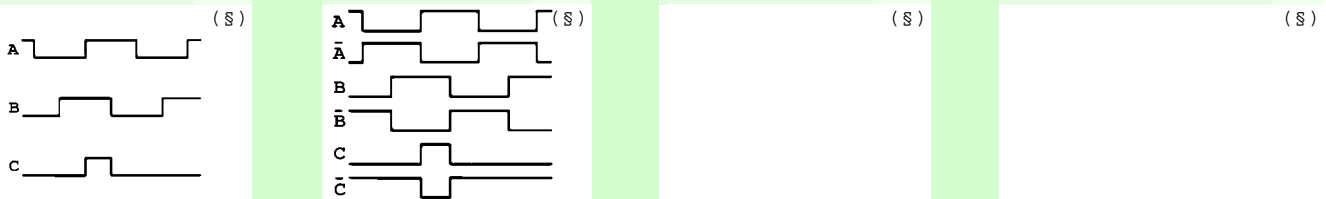


TECHNICAL FEATURES AND POSSIBLE CONFIGURATIONS

- Base.....: ALUMINIUM
 - Cover.....: ALUMINIUM
 - Weight.....: 100 g
 - Shaft.....: Ø 6,35 STAINLESS STEEL
 - Max.rad/axial load.: 1 kg
 - IP output side.(°): see 'CONNECTION' of page 2
 - IP shaft side..(°).> std. 64 | sealed 66 | low torq 53
 - opt. type (page 2).> standard | Z | B
 - Contin. max RPM(**)> 6000 | 3000 | 12000
 - Starting torque gcm> 12 | 30 | 8
 - Ball bearings life....: 1,5 x 10⁹ revolutions
 - Impact resistance....: 100 G x 6ms
 - Vibration resistance.: 10 G (55 ÷ 2000 Hz)
 - Power supply.....: 5÷30V (vedi pag.2)
 - Operating temperature: -25÷85 °C
 - Storage temperature...: -30÷85 °C
 - N° of pulses/rev.....: 8 ÷ 2048 (*)
 - (see page 2) (*)
 - Max consumptions mA...: std 50 line driver 90
 - Max frequency.....: 600 kHz
- (°) IP according to CEI EN 60529, EN 60529, IEC 529
(*) multiplicable x4 by the Customer
(**) intermittent max RPM + 30% of continuous max RP

ELECTRONICS

CODE	DESCRIPTION	mA	CODE	DESCRIPTION	mA	CODE	DESCRIPTION	mA	CODE	DESCRIPTION	mA
K	STANDARD NPN	10	N	DRIVER 26LS31	35						
Q	NPN OPEN COLL	10									
R	NPN	70	Z	DRIVER ET7272	30						
	NPN OPEN COLL	70									



Tolerance between phases 45°, symmetry ± 15°

(§) Clock-wise output rotation (see shaft).

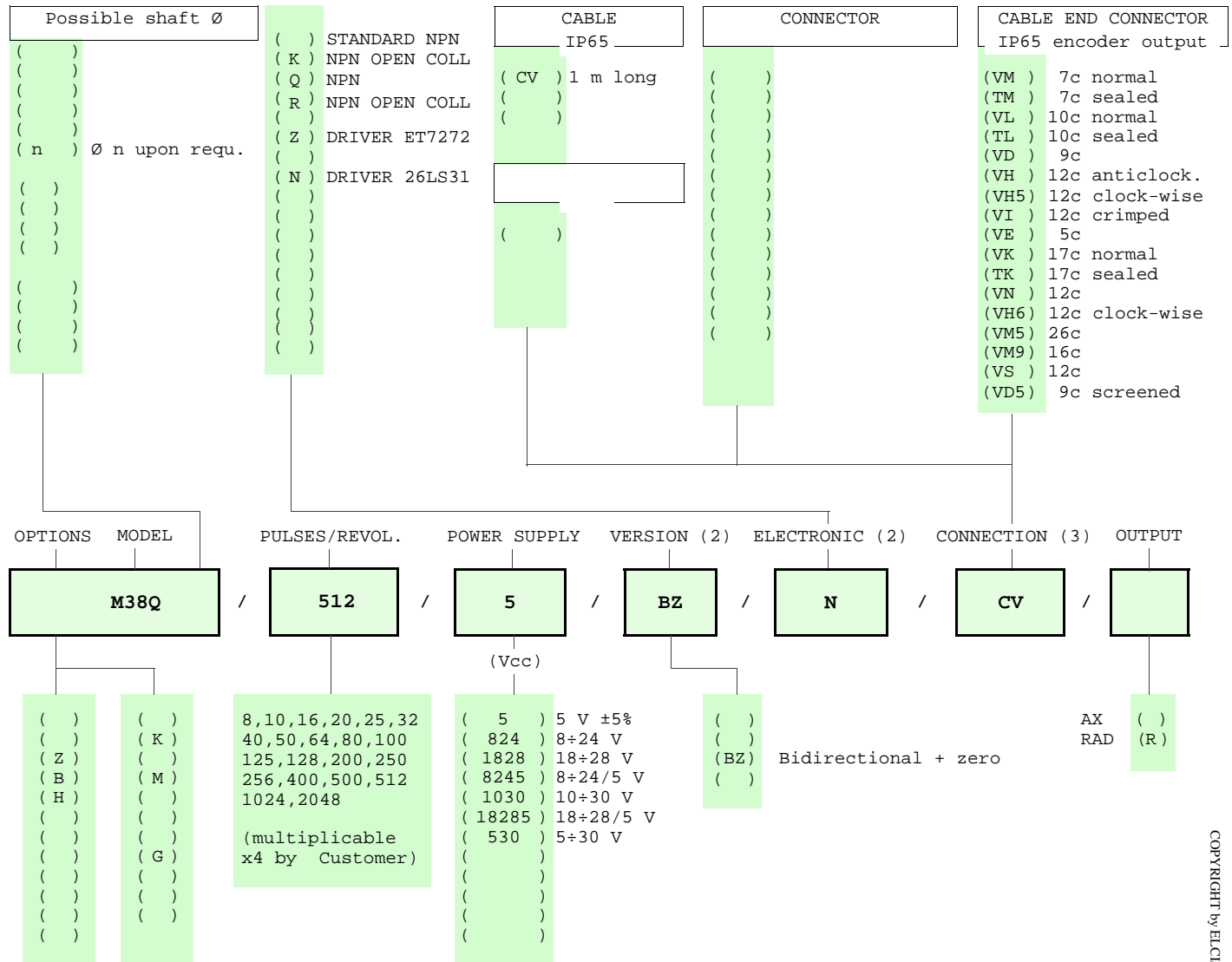


Elcis encoder s.r.l. Via Rosa Luxembourg 12/14 10093 COLLEGNO (TO) ITALY
Phone: +39 011 715577/78 a.r.
MAIL: Elcis encoder s.r.l. P.O.Box 70 10093 COLLEGNO (TO) ITALY

* <http://www.elcis.com>
* e-mail: info@elcis.com
* Fax: +39 011 712613


POSSIBLE OPTIONS				POSSIBLE CONNECTIONS								
CODE	DESCRIPTION	CODE	DESCRIPTION									
Z	Sealed ball bear.	K	Invert. phase A,B,Zero	CABLE				OUTPUT:				
B	Low torque ball bear.	M	Impregnated electronic	CV				AX RAD				
H	Different shaft Ø	G	Tropicalization	CONNECTOR				OUTPUT:				
				CABLE END CONNECTOR				OUTPUT:				
				VM	TM	VL	TL	VD	VH	VH5	VI	AX
				VE	VK	TK	VN	VH6	VM5	VM9	VS	RAD
				VD5								
				TERMINAL BOX				OUTPUT:				

ORDERING INFORMATION



Product manufactured according to UNI EN ISO 9001:2008, supplied with CHECKING and CONFORMITY declaration with CE mark and with TWO (2) YEARS WARRANTY starting from delivery date.

(2) For further information see ELECTRONIC data sheet
 (3) For further information see CONNECTION data sheet

	Elcis encoder s.r.l. Via Rosa Luxembourg 12/14 10093 COLLEGNO (TO) ITALY	* http://www.elcis.com
	Phone: +39 011 715577/78 a.r.	* e-mail: info@elcis.com
	MAIL: Elcis encoder s.r.l. P.O.Box 70 10093 COLLEGNO (TO) ITALY	* Fax: +39 011 712613

COPYRIGHT by ELCIS - Collegno (TO)